



Date: _____ Fixture: _____

QTY: _____ Project: _____

Thinline 3.18

Wall Mount Wet Rated

Product Details

Architectural luminaire. Slim contemporary design. Aluminum housing. 3.18" wide x 4.125" tall. 2', 4', 6', 8' lengths. Direct distribution. Polycarbonate frosted lens. Wall wash optic option. Standard grey, white and black finishes. Custom finishes available. DLC Listed. cULus Listed. Designed and manufactured in North America. 10 Year Warranty.

SPECIFICATIONS

Efficacy: 98 Lm/W

CRI: 80+

Color Temperature: 3000K, 3500K, 4000K, 5000K

Lumen Maintenance: 200,000+ Life Hours (L70)

Voltage: 120/277V | 347V | 480V option

Controls Options: 0-10V Dimming, DMX, DALI, Wireless

Operating Temperature: -20°C to +40°C

ACCESSORIES

10kV Surge protection, 0 -10 1% Dim to Off Driver

OUTPUT PERFORMANCE

Watts per Foot	Delivered Lumens per Foot
2.5	250
3.5	350
5	500
7.5	750
10	1000

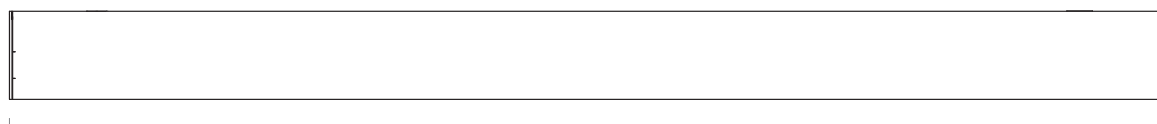
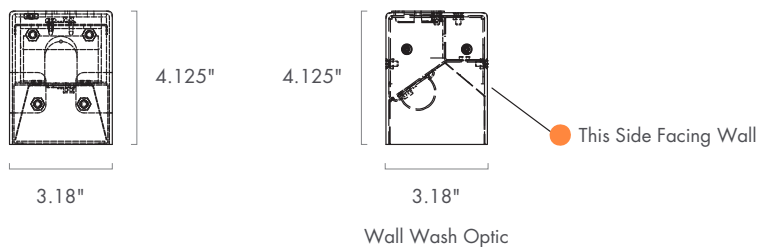


Specifications subject to change without notice.

Note: Not all products are qualified on the DLC QPL.

To view our DLC qualified products, please consult the DLC qualified products list at www.designlights.org/qpl.

DIMENSIONS

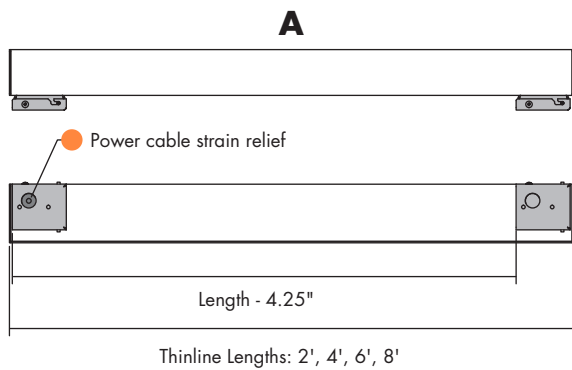
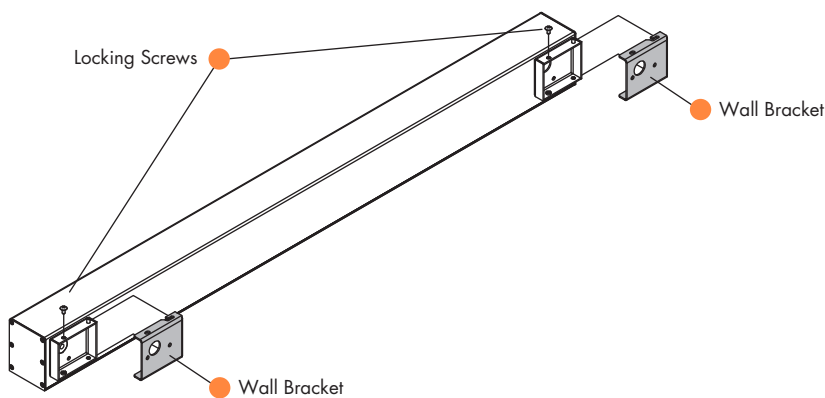


2': 24", 4': 48", 6': 72", 8': 96"

Note: End Cap thickness: .09" | 2 End Caps add additional .180" in length

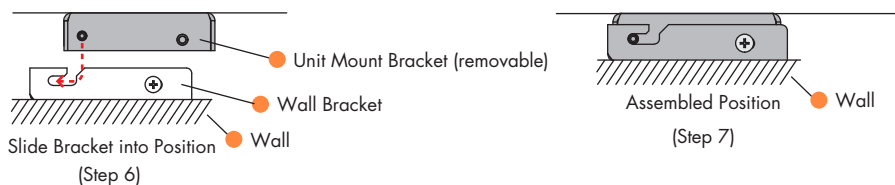
WALL MOUNT INSTALLATION

1. Using the assembled unit (as shipped), mark the position of the wall brackets so you make sure brackets are properly aligned.
2. Wall marks should be Length - 4.25" (**Table**) apart as shown on diagram A.
3. Remove locking screws from both brackets and keep.
4. Using the wall mount bracket mark the position of the mounting holes from inside the bracket.
5. Attach brackets to wall (screws not supplied) using 1/4" screws.
6. Slide the unit mount brackets (factory assembled) into the wall bracket.
7. Reattach the locking screws on the top and bottom (from Step 3).

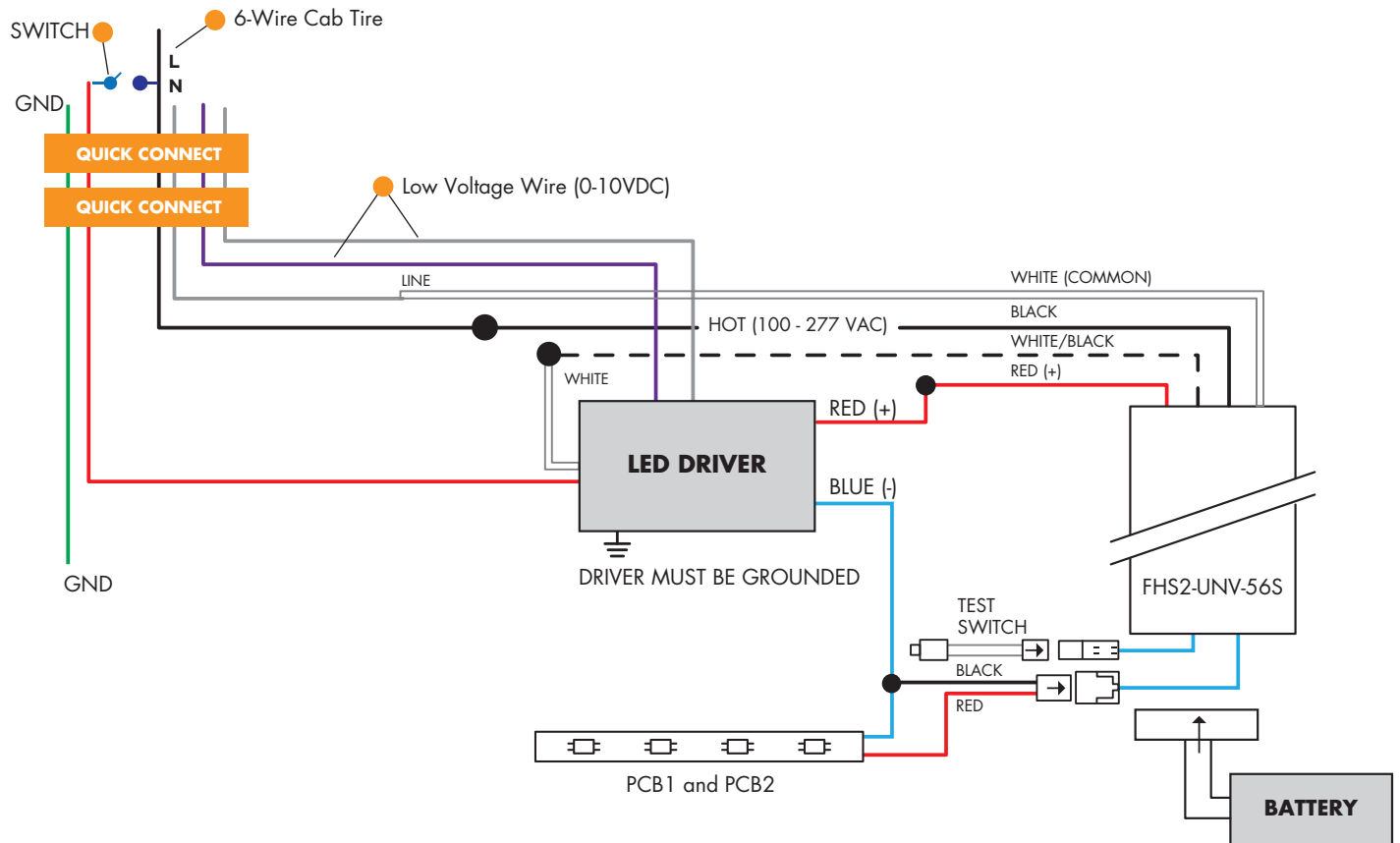


TABLE

Model	Wall Mounting Length
Thinline 2'	19.75"
Thinline 4'	43.75"
Thinline 6'	67.75"
Thinline 8'	91.75"



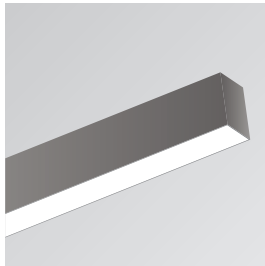
WIRING DIAGRAM - BATTERY BACK-UP SWITCH



1. L and N and G wires are connected to main line at the J-Box.
2. When the switch is engaged (ON): the fixture will light, and the power to the Battery-Backup is not interrupted.
3. When the switch is dis-engaged (OFF): the fixture will turn off, but the power to the Battery-Backup is not interrupted.
4. When there is a power failure: Power is disconnected on the black wire (Line), the power to the Light (regardless of the switch position) and to the Battery-Backup will be interrupted, and consequently Battery Backup will be activated and EM power will come "ON".
5. The Red Wire is connected to the Driver VAC I/P (line), and can only be powered by the switch.
6. The Switch is located somewhere in the building.

FINISH OPTIONS

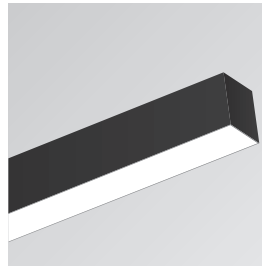
STANDARD FINISHES



Grey

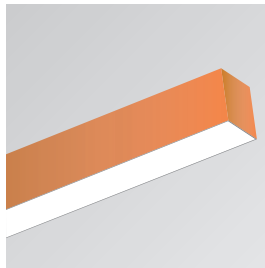


White

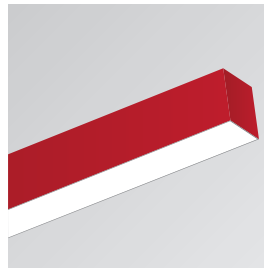


Black

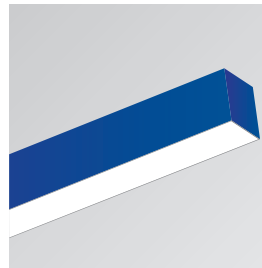
SAMPLE CUSTOM FINISHES



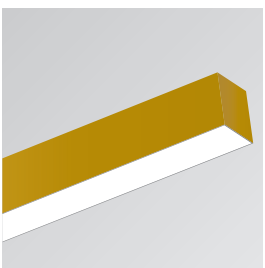
Orange



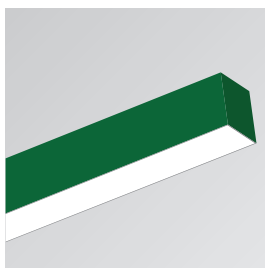
Red



Blue



Gold



Green

ADDITIONAL FINISHES AVAILABLE

Please consult factory

ORDERING OPTIONS

MODEL	LENGTH	WATTS/ft	COLOR TEMP	VOLTAGE	LENS	FINISH	MOUNTING
DTL	2	2.5	3K 3000K	U 120/277V	FR Frosted	GRY Grey	WM Wall Mount
	4	3.5	35K 3500K	H 347V		WH White	
	6	5	4K 4000K	*480V		BLK Black	
	8	7.5	5K 5000K			*CU Custom	
	10						

DTL					FR		WM
------------	--	--	--	--	-----------	--	-----------

WIDTH	WIRING	ACCESSORIES	TYPE
3.18	BFC Black Flexible Cord	N None	WMWR Wall Mount Wet Rated
	WFC White Flexible Cord	WC Wireless Controls	
	GFC Grey Flexible Cord	DMX	
	3 WIRE 3 Conductor Wire __	DALI	
	5 WIRE 5 Conductor Wire __	10kV 10kV Surge Protection	
	N No Cord	DIMOFF 0-10 1% Dim to off Driver	

3.18			WMWR
-------------	--	--	-------------

NOTE
<p>480V - Please consult factory</p> <p>CU - Please consult factory</p>