



Date: _____ Fixture: _____
QTY: _____ Project: _____



Lumenova PT

Post Top Outdoor Area Luminaire

Outdoor area pole lighting luminaire. Corrosion resistant heavy duty-cast aluminum construction. Standard 2 3/8" open on the bottom. Wiring compartment on the top for easy access and ease of installation. Superior powder coat finish to withstand the toughest weather elements. Ideal for parks, walkways, and commercial office building applications where landscape lighting may come into use.

DLC Listed. cULus Listed. 10 Year Warranty.

Performance

Model	Input Watts	Lm/W	Delivered Lumens
Lumenova PT 60	53.29	130.95	6,978.3
Lumenova PT 80	78.5	124.71	9,794.8
Lumenova PT 150	143.4	110.74	15,885

Ordering Options

FIXTURE	MODEL	WATTS	COLOR TEMP	VOLTAGE	FINISH	MOUNTING
Lumenova PT	LED-9800-L4-60-5K LED-9800-L4-90-5K LED-9800-L4-150-5K	53 80 150	5K 5000K	U 120/277V *H 347/480V	BRZ Bronze WH White *GRY Grey *BLK Black	PM Pole Mount *SF Slip Fitter

LUMENOVA PT			5K			
-------------	--	--	----	--	--	--

ACCESSORIES	
-------------	--

10kV 10kV Surge Protection

10kV	
------	--

SAMPLE: LUMENOVAPT - LED-9800-L4-60-5K - 53 - 5K - U - BRZ - PM - 10kV

H - 347/480V - Optional - Please consult factory

BLK, GRY - Please consult factory

SF - 4" OD Pole

480V Max Receptacle - Please consult factory

Available with 8 week lead time

Specifications subject to change without notice.

Note: Not all products are qualified on the DLC QPL. To view our DLC qualified products, please consult the DLC qualified products list at www.designlights.org/qpl.

**DISCLAIMER: This test report was produced in accordance with IES LM-79 photometric testing protocol for luminaires, using a single representative test fixture. Actual production units may vary from the values reported here by up to ±10%

Product Details

Specifications

Efficacy: 60W: 130.95 Lm/W | 80W: 124.71 Lm/W | 150W: 110.74 Lm/W
CRI: 70+
Color Temperature: 5000K
Lumen Maintenance: 150,000+ Life Hours (L70)
Watts: 60W, 80W, 150W
Voltage: 120/277V | optional 347/480V
Operating Temperature: -40°C to +50°C

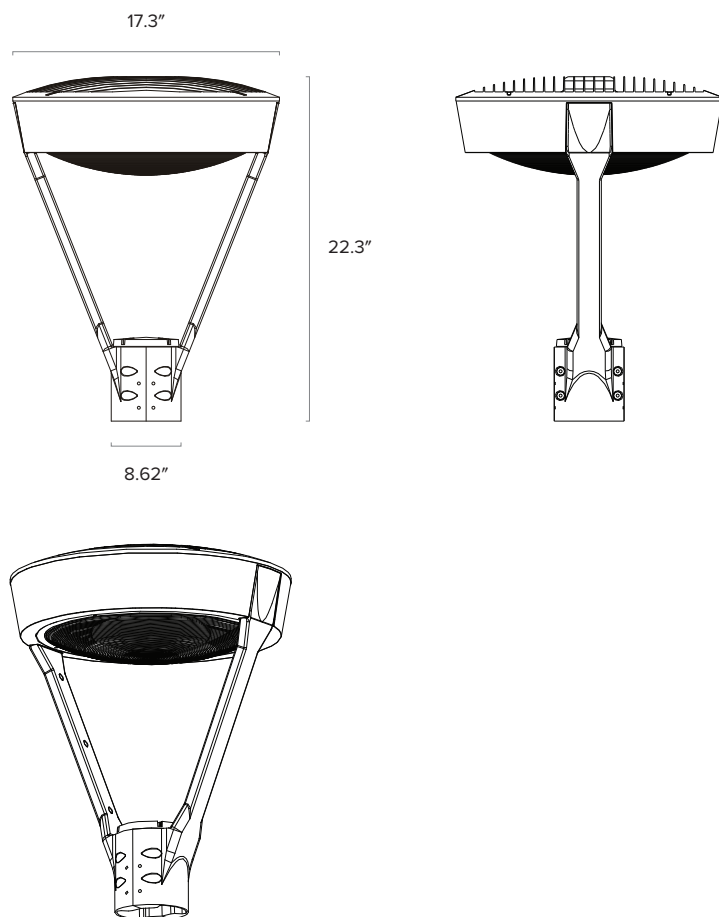
Mounting

Post Top

Accessories

10kV Surge protection

Dimensions



Installation

Tools Required

M2.5 Allen Key
Wire Strippers
Wire Cutters

LumenoVA PT is intended to be mounted on a heavy duty pipe or tenon. Max O.D. of 2 3/8" (60 mm).

Steps:

- Ensure starting ensure that the power is disconnected.
- Inspect fixture to ensure that there are no damaged parts.
- Pass wires into post top tenon or pipe. Make wire connections as seen in Figure 1.
- Position fixture on post top tenon or pipe as seen in Figure 2 and tighten down all 8 Allen head screws to 72 in - lbs (6ft - lbs).
- Restore power at circuit break and switch on power.

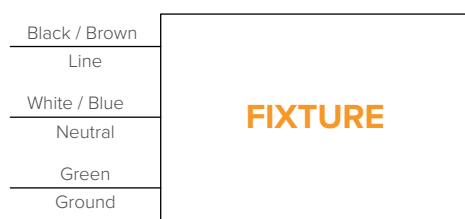
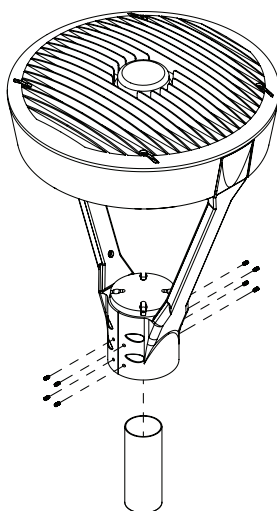


Figure 1.



Wiring Compartment for easy access
and installation