



Date: _____ Fixture: _____
QTY: _____ Project: _____



Lumenova Lantern

Post Top Outdoor Area Luminaire

Coach style lamp post LED luminaire. Black finish with frosted lens.
Aluminum construction. Street lighting, parks and landscaped area applications.
cULus listed. 10 Year Warranty.

Performance

Model	Watts	Lm/W	Delivered Lumens
Lumenova Lantern	48	125	6,000
	65	125	8,125

Ordering Options

MODEL	WATTS	COLOR TEMP	VOLTAGE	LENS	MOUNTING	WIRING
Lumenova Lantern	48 65	3K 3000K 35K 3500K 4K 4000K 5K 5000K	U 120/277V H 347V	FR Frosted	POST TOP	BFC Black Flexible Cord WFC White Flexible Cord

SAMPLE: LUMENOVALANTERN - 48 - 4K - U - FR - POSTTOP - BFC

Product Details

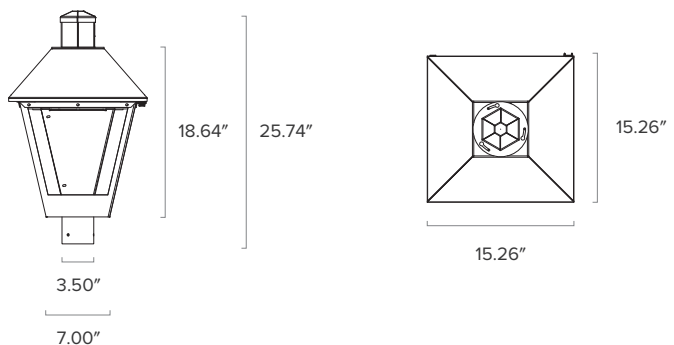
Specifications

Efficacy: 125 Lm/W
CRI: 84
Color Temperature: 3000K, 3500K, 4000K, 5000K
Lumen Maintenance: 200,000+ Life Hours (L70)
Voltage: 120/277V | 347V
Operating Temperature: -40°C to +40°C

Mounting

Post Top

Dimensions



Specifications subject to change without notice.