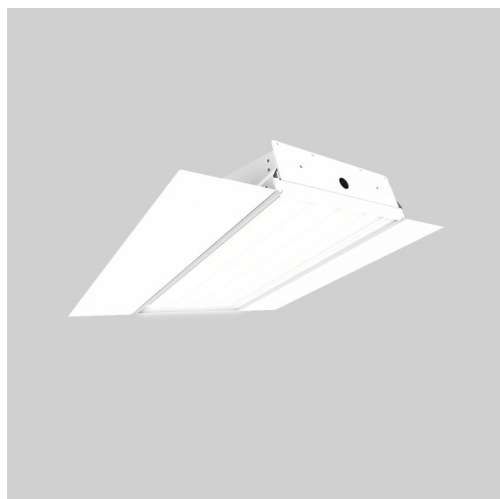




Date: _____ Fixture: _____

QTY: _____ Project: _____



TitanHB 80

High Bay with Recessed Kit

Titan recessed fixture. Aluminum construction with polycarbonate protective lens. The perfect LED solution for industrial, commercial, warehouse and large box retail applications. DLC Listed. cULus listed. 10 Year Warranty.

Output Performance

Model	Watts	Lm/W	Lumens
TitanHB 80	81.5	117.9	9,609

Ordering Options

MODEL	WATTS	COLOR TEMP	VOLTAGE	LENS	FINISH	MOUNTING
TitanHB	80	3K 3000K 35K 3500K 4K 4000K 5K 5000K	U 120/277V H 347/480V	FR Frosted CL Clear CLG Clear Glass	WH White *CU Custom	TG T-Grid

TITAN HB	80					TG
----------	----	--	--	--	--	----

WIRING	ACCESSORIES	PLUG OPTIONS
BFC Black Flexible Cord WFC White Flexible Cord	N None OCC Occupancy Sensor (on/off) *WC Wireless Controls BLD Bi Level Dimming (100%/10%) GCC Gasketed and Conformal Coated DA Dimming Wire Accessible 10kV 10kV Surge Protection	N None *See Plug Options

--	--	--	--

SAMPLE: TITANHB - 80 - 4K - U - FR - WH - TG - BFC - N - N

CU - Please consult factory
WC - Please consult factory

PLUG OPTIONS

- | | | |
|--|---------------------------------------|--|
| 5-15P - 125V 15A T-Slot Plug | 6-20P - 250V AC 20A Plug | 24-20P - 347V AV 20A 3W/2P Plug NEMA 24-20 |
| L5-15P - 125V 15A Locking Plug | L6-20P - 250V 20A Locking Plug | L24-20P - 347V 20A Locking Plug |
| 5-20P - 125V AC 20A T-Slot Plug | 7-15P - 277V 15A 3W/2P NEMA 7-15 Plug | 24-15P - 347V AC 15A 3W/2 Plug NEMA 24-15 |
| L5-20P - 125V 20A Locking Plug | L7-15P - 277V 15A Locking Plug | |
| 6-15P - 250V AC 15A 3W/2P Plug NEMA 6-15 | 7-20P - 277V AC 20A Plug | |
| L6-15P - 250V 15A Locking Plug | L7-20P - 277V 20A Locking Plug | |

Note: Not all products are qualified on the DLC QPL. To view our DLC qualified products, please consult the DLC qualified products list at www.designlights.org/qpl.

Specifications subject to change without notice.

Product Details

Specifications

Efficacy: 117.9 Lm/W

CRI: 86

Color Temperature: 3000K, 3500K, 4000K, 5000K

Lumen Maintenance: 200,000+ Life Hours (L70)

Voltage: 120/277V | 347/480V

Operating Temperature: -40°C to +40°

Controls

0-10V Dimming, Wifi, Occupancy Sensor

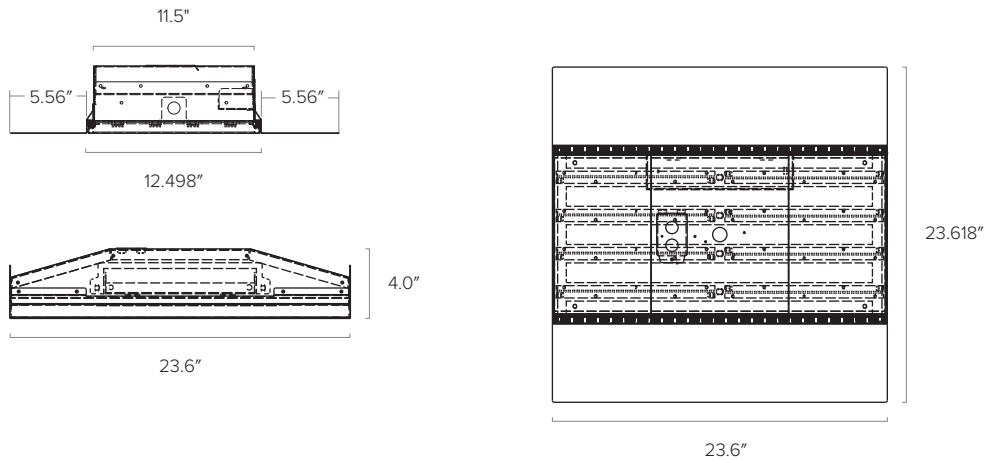
Mounting

T-Grid

Accessories

Gasketed and Conformal Coated, Dimming Wire Accessible,
10kV Surge Protection

Dimensions



Specifications subject to change without notice.