


 Date: _____ Fixture: _____
 QTY: _____ Project: _____


VTS C

Vapor Tight - Weather Proof

Weather proof luminaire. 4 and 8 ft length options. Enclosed and gasketed body protects electronics from harsh weather elements. Polycarbonate construction with stainless steel latches. Moisture, vapor, chemical resistant, corrosion free, and dust protective. Frosted and clear lens options. DLC Listed. cULus listed. NSF available. 10 Year Warranty

Ordering Options

MODEL	WATTS	COLOR TEMP	VOLTAGE	LENS	FINISH	MOUNTING	WIRING
VT4S	30c, 40c, 60c, 80c	3K 3000K 35K 3500K	U 120/277V H 347/480V	*FR Frosted CL Clear	GRY Grey	AC Aircraft Cable V V Hooks	BFC Black Flexible Cord WFC White Flexible Cord
VT8S	40c, 60c, 80c, 120c	4K 4000K 5K 5000K					

<input type="text"/>	<input type="text"/>	<input type="text"/>	<input type="text"/>	<input type="text"/>	GRY	<input type="text"/>	<input type="text"/>
----------------------	----------------------	----------------------	----------------------	----------------------	------------	----------------------	----------------------

ACCESSORIES	PLUG OPTIONS
N None OCC Occupancy Sensor (on/off) BLD Bi Level Dimming (100%/10%) WBD Waterproof Bi-Level Dimming (100%/10%) WOC Waterproof Occupancy Sensor (on/off) *PC Photo Control *HT High Temperature +55°C 10kV 10kV Surge Protection	N None *See Plug Options

<input type="text"/>	<input type="text"/>	<input type="text"/>
----------------------	----------------------	----------------------

SAMPLE: VT4S - 60c - 4K - U - CL - GRY - AC - BFC - N - N

FR - Frosted lens for VT4S model only
PC - Photo Control - Please specify voltage (120V, 208-277V, 347V, 480V)
HT - High Temperature +55°C - Specify if dimming required - Please consult factory

PLUG OPTIONS

- | | | |
|---|--|---|
| 5-15P - 125V 15A T-Slot Plug | L6-15P - 250V 15A Locking Plug | 7-20P - 277V AC 20A Plug |
| L5-15P - 125V 15A Locking Plug | 6-20P - 250V AC 20A Plug | L7-20P - 277V 20A Locking Plug |
| 5-20P - 125V AC 20A T-Slot Plug | L6-20P - 250V 20A Locking Plug | 24-20P - 347V AV 20A 3W/2P Plug NEMA 24-20 |
| L5-20P - 125V 20A Locking Plug | 7-15P - 277V 15A 3W/2P NEMA 7-15 Plug | L24-20P - 347V 20A Locking Plug |
| 6-15P - 250V AC 15A 3W/2P Plug NEMA 6-15 | L7-15P - 277V 15A Locking Plug | 24-15P - 347V AC 15A 3W/2 Plug NEMA 24-15 |

Specifications subject to change without notice.

Note: Not all products are qualified on the DLC QPL. To view our DLC qualified products, please consult the DLC qualified products list at www.designlights.org/qpl.

Product Details

Specifications

Efficacy: 4: Up to 155 Lm/W | 8: Up to 152 Lm/W
 CRI: 85
 Color Temperature: 3000K, 3500K, 4000K, 5000K
 Lumen Maintenance: 200,000+ Life Hours (L70)
 Voltage: 120/277V | 347/480V
 Watts: 4: 30W, 40W, 60W, 80W | 8: 40W, 60W, 80W, 120W
 Controls: 0-10V Dimming
 Operating Temperature: -40°C to +40°C | +55°C - option available

Mounting

Suspended: V Hook, Aircraft Cable

Accessories

Occupancy Sensor (waterproof option available)
 Bi-Level Dimming (waterproof option available)
 Photo Control
 10kV Surge Protection

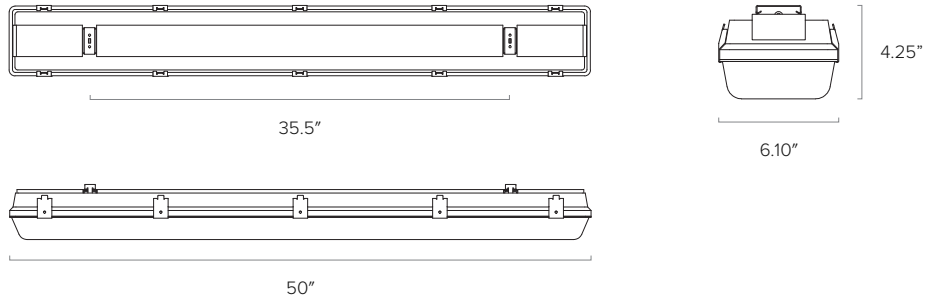
Performance

Model	Input Watts	Lm/W	Delivered Lumens
VT4s 30c	29.4	155	4,650
VT4s 40c	39.5	152	6,080
VT4s 60c	59.6	150	9,000
VT4s 80c	83.9	139	11,120

Model	Input Watts	Lm/W	Delivered Lumens
VT8s 40c	37	150	5,550
VT8s 60c	56	148	8,288
VT8s 80c	79	152	12,160
VT8s 120c	115	150	18,000

Dimensions

VTS 4



VTS 8

