



Date: \_\_\_\_\_ Fixture: \_\_\_\_\_  
 QTY: \_\_\_\_\_ Project: \_\_\_\_\_



## VT4L

### Vapor Tight - Weather Proof

Weather proof luminaire. Enclosed and gasketed body protects electronics from harsh weather elements. Polycarbonate construction with stainless steel latches. Moisture, vapor, chemical resistant, corrosion free, and dust protective. Frosted and clear lens options. DLC Premium. cULus listed. NSF available. 10 Year Warranty.

### Performance

Model	Input Watts	Lm/W	Delivered Lumens
VT4L 120	122.4	143.8	17,544
VT4L 160	160.1	143.8	23,324
VT4L 190	190	143.8	27,322

### Ordering Options

MODEL	WATTS	COLOR TEMP	VOLTAGE	LENS	FINISH	MOUNTING	WIRING
<b>VT4L</b>	<b>120</b> <b>160</b> <b>190</b>	<b>3K</b> 3000K <b>35K</b> 3500K <b>4K</b> 4000K <b>5K</b> 5000K	<b>U</b> 120/277V <b>H</b> 347/480V	<b>FR</b> Frosted <b>CL</b> Clear	<b>GRY</b> Grey <b>WH</b> White <b>BLK</b> Black <b>CU</b> Custom	<b>AC</b> Aircraft Cable <b>V</b> V Hooks	<b>BFC</b> Black Flexible Cord <b>WFC</b> White Flexible Cord

VT4L							
------	--	--	--	--	--	--	--

ACCESSORIES		PLUG OPTIONS	
<b>N</b> None		<b>N</b> None	<b>*See Plug Options</b>
<b>OCC</b> Occupancy Sensor (on/off)			
<b>BLD</b> Bi Level Dimming (100%/10%)			
<b>WBD</b> Waterproof Bi-Level Dimming (100%/10%)			
<b>WOC</b> Waterproof Occupancy Sensor (on/off)			
<b>*PC</b> Photo Control			
<b>*HT</b> High Temperature +55°C			
<b>10kV</b> 10kV Surge Protection			

--	--	--

**SAMPLE:** VT4L - 120 - 4K - U - FR - GRY - AC - BFC - N - N

**PC** - Photo Control - Please specify voltage (120V, 208-277V, 347V, 480V)  
**HT** - High Temperature +55°C - Specify if dimming required - Please consult factory

#### PLUG OPTIONS

- |   |  |   |
|---|--|---|
| <b>5-15P</b> - 125V 15A T-Slot Plug             | <b>L6-15P</b> - 250V 15A Locking Plug        | <b>7-20P</b> - 277V AC 20A Plug                   |
| <b>L5-15P</b> - 125V 15A Locking Plug           | <b>6-20P</b> - 250V AC 20A Plug              | <b>L7-20P</b> - 277V 20A Locking Plug             |
| <b>5-20P</b> - 125V AC 20A T-Slot Plug          | <b>L6-20P</b> - 250V 20A Locking Plug        | <b>24-20P</b> - 347V AV 20A 3W/2P Plug NEMA 24-20 |
| <b>L5-20P</b> - 125V 20A Locking Plug           | <b>7-15P</b> - 277V 15A 3W/2P NEMA 7-15 Plug | <b>L24-20P</b> - 347V 20A Locking Plug            |
| <b>6-15P</b> - 250V AC 15A 3W/2P Plug NEMA 6-15 | <b>L7-15P</b> - 277V 15A Locking Plug        | <b>24-15P</b> - 347V AC 15A 3W/2 Plug NEMA 24-15  |

Specifications subject to change without notice.

Note: Not all products are qualified on the DLC QPL. To view our DLC qualified products, please consult the DLC qualified products list at [www.designlights.org/qpl](http://www.designlights.org/qpl).

## Product Details

### Specifications

Efficacy: 143.8 Lm/W  
CRI: 85  
Color Temperature: 3000K, 3500K, 4000K, 5000K  
Lumen Maintenance: 200,000+ Life Hours (L70)  
Voltage: 120/277V | 347/480V  
Watts: 120, 160, 190  
Controls: 0-10V Dimming  
Operating Temperature: -40°C to +40°C | +55°C - option available

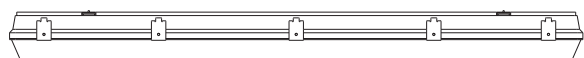
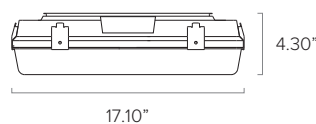
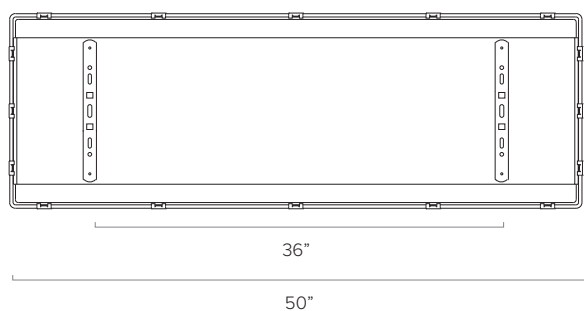
### Mounting

Suspended: V Hook, Aircraft Cable

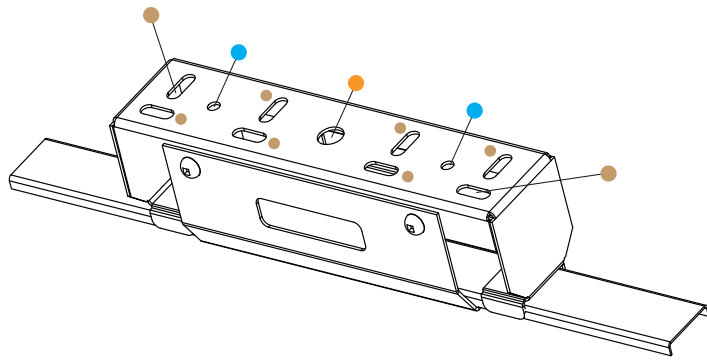
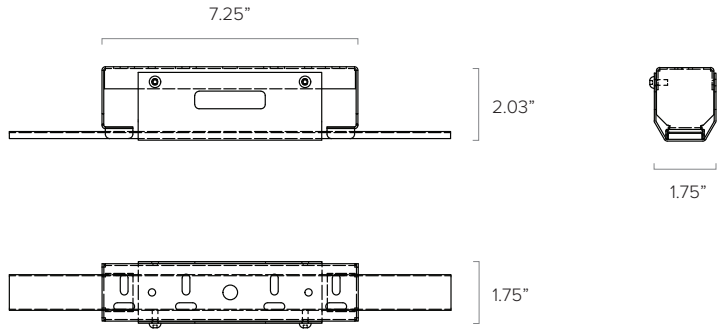
### Accessories

Occupancy Sensor (waterproof option available)  
Bi-Level Dimming (waterproof option available)  
Photo Control  
10kV Surge Protection

## Dimensions



### Mounting Bracket (Standard)



- Location for Aircraft Cable with gripper
- Location for Aircraft Cable w/paddles
- Location for V Hook (8)