



DTL SUSPENDED DIRECT

Installation Guide

Models:

2.25

3.18

4.5

94 Brockport Drive
Toronto, Ontario, M9W 7J8
1.877.502.3434 | info@delviro.com

www.delviro.com

© delviro energy | All Rights Reserved

Safety





Note:

Follow the Electrical Codes of the Country where this fixture will be installed. For Canada follow the Canadian Electrical Code (CE) and for the United States follow the National Electrical Code (NEC). Failure to follow these instructions could result in electric shock or damage property. All wiring should also be performed by a qualified electrician. Check with local electrical authority for installation compliance regulations. Due to variations in roofing materials use these installation instructions as a guideline only.

General Instructions

- Please read all instructions before installation.
- Wiring of this product should be performed by a qualified electrician and must adhere to national and local building and electrical codes.
- Always connect the grounding lead to fixture, where applicable.
- Ensure power source conforms with the fixture requirements.
- LED lamp replacement Marking - identifying the replacement LED lamp type/model to be used along with the manufacturer and ordering information
- This device is not intended for use with emergency exits.

Warnings

-  Risk of Fire or electric shock. This luminaire installation requires knowledge of luminaires electrical systems. If not qualified, do not attempt installation. Contact a qualified electrician.
-  Risk of Fire or electric shock. Disconnect power at the electrical panel before installing or servicing the luminaire.
-  Based on maximum voltage restrictions for class 2 recruits in Canadian Electrical Code, the output cannot be accessible. This product has accessible output terminals. This product complies with the requirements since the installation instruction requires installation in Restricted Access Area.
-  To prevent wiring damage or abrasion, do not expose wiring to edges of sheet metal or other sharp objects.

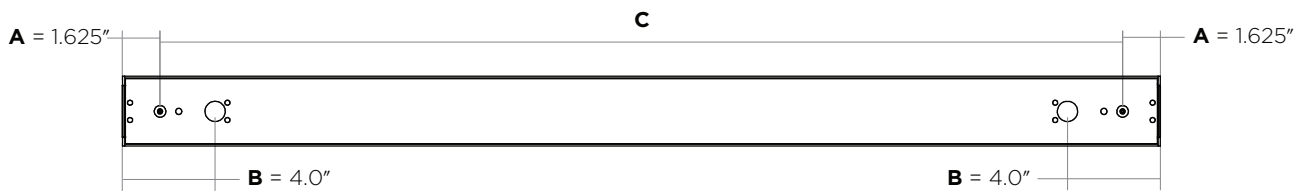
DTL Suspended Direct Installation - Single Unit

Models: 2.25 / 3.18 / 4.5

Steps

* Make sure power is off before connections

A = Mounting Locations **B** = AC Power Locations



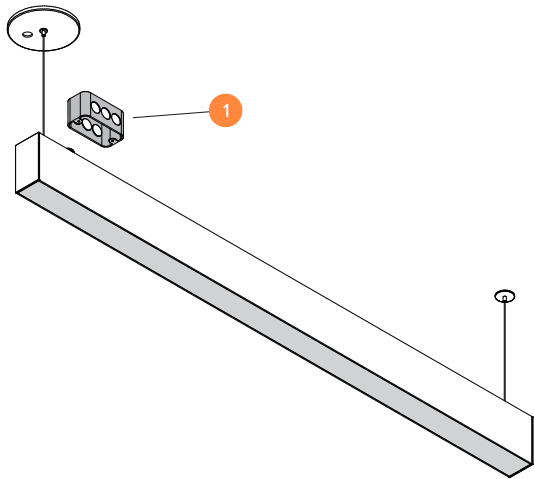
Mounting Dimensions

Models	C - Mounting Lengths
DTL 2	20.95"
DTL 3	32.95"
DTL 4	44.95"
DTL 5	56.95"
DTL 6	68.95"
DTL 7	80.95"
DTL 8	92.95"

Note: End cap length 0.2" included

1.

Install junction box inside ceiling.
Provide sufficient power wiring length to junction box. Make sure sufficient length to power wirings extend and connect to the lighting fixture power wirings



2.

Connect fixture power wires to supply power wires from junction box. Installation is complete.

