

AIR FLEX

INSTALLATION MANUAL

AIR FLEX

INSTALLATION INSTRUCTIONS

NOTE: Follow the Electrical Codes of the Country where this fixture will be installed. For Canada follow the Canadian Electrical Code (CE) and for the United States follow the National Electrical Code (NEC). Failure to follow these instructions could result in electric shock or damage property. All wiring should also be performed by a qualified electrician. Check with local electrical authority for installation compliance regulations. Due to variations in roofing materials use these installation instructions as a guideline only.



Risk of Fire or electric shock. This luminaire installation requires knowledge of luminaires electrical systems. If not qualified, do not attempt installation. Contact a qualified electrician.



Risk of Fire or electric shock. Install this kit only in luminaires that have the construction features and dimensions shown in the photographs and/or drawings and where the input rating of the retrofit kit does not exceed the input rating of the luminaire.



Based on maximum voltage restrictions for class 2 recruits in Canadian Electrical Code, the output cannot be accessible. This product has accessible output terminals. This product complies with the requirements since the installation instruction requires installation in Restricted Access Area.



To prevent wiring damage or abrasion, do not expose wiring to edges of sheet metal or other sharp objects. This luminaire has been modified to operate LED lamps. Do not attempt to install or operate **ANY OTHER LIGHT SOURCE* other than LED lamps in this luminaire**, where "*" represents the luminaire's original light source (ie: "Fluorescent," etc.).

THIS DEVICE IS NOT INTENDED FOR USE WITH EMERGENCY EXITS.

SUITABLE FOR DAMP LOCATIONS.

- Always connect the grounding lead to fixture, where applicable.
- Do not install in a raceway or a luminaire marked for through branch wiring.
- LED lamp replacement Marking - identifying the replacement LED lamp type/model to be used along with the manufacturer and ordering information.

AIR FLEX

INSTALLATION INSTRUCTIONS



WARNING

WARNING FAILURE TO FOLLOW THESE INSTRUCTIONS AND WARNINGS MAY RESULT IN DEATH, SERIOUS INJURY OF SIGNIFICANT PROPERTY DAMAGE

For your protection, carefully read these warnings and instructions in their entirety before installing or maintaining this equipment. These instructions do not attempt to cover all installation and maintenance situations. If you do not understand these instructions or if additional information is required, contact delviro energy customer service department: 1.877.502.3434

WARNING: This fixture must be installed by a qualified electrician in accordance with any NEC, CEC, state, and/or local code requirements. This retrofit kit is not for use with all fixture bodies.

WARNING: Risk of fire or electric shock. Installation requires knowledge of luminaire electrical systems. If not qualified, do not attempt installation. Contact a qualified electrician.

WARNING: Risk of fire or electric shock. Never connect to, disconnect from or service while circuit equipment is energized.

WARNING: Risk of fire or electric shock. Luminaires wiring, power supply, or other electrical parts may be damaged when drilling for installation of retrofit assembly hardware. Inspect wiring and components for damage.

WARNING: Risk of personal injury. This equipment may have sharp edges. Wear gloves to prevent cuts or abrasions when removing from carton, handling and maintaining this equipment
Do not install in a damaged fixture:

- This equipment must be installed in accordance with all federal, state and local laws, regulations and codes
- Proper grounding is required to ensure personal safety
- All service shall be performed by qualified service personnel
- This equipment must be installed and modified in accordance with all federal, state, and local laws, regulations and codes by a professional who is familiar with the construction and operation of this product and any hazards involved.

NOTICE: Do not install with total power input greater than power rating of original fixture

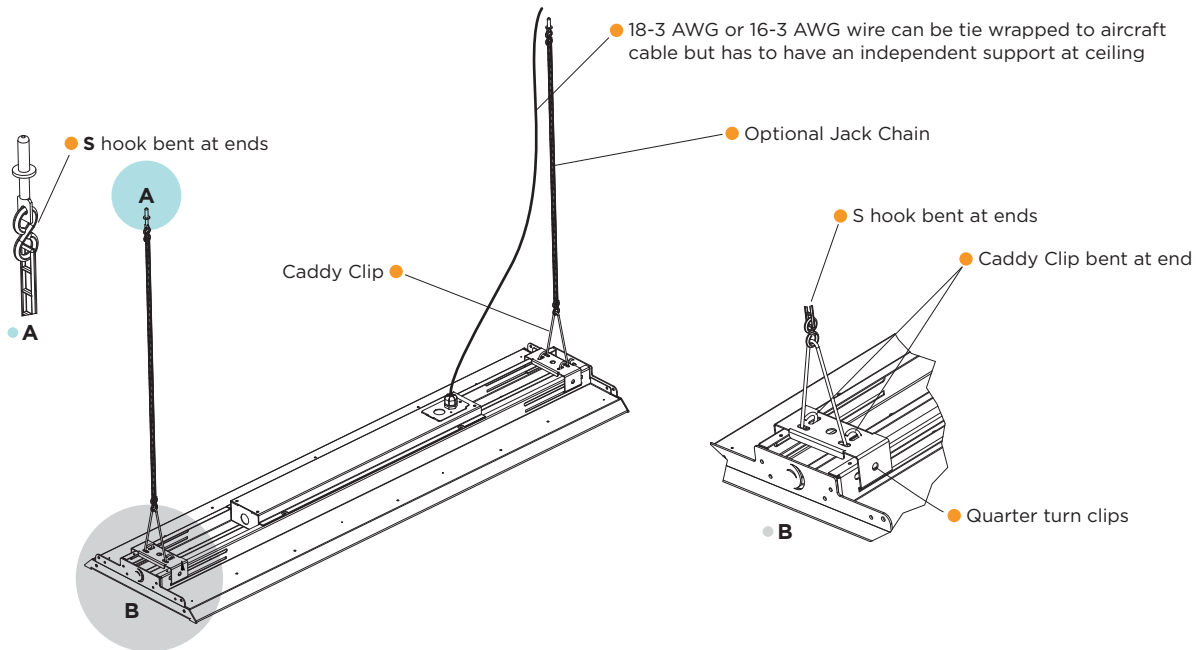
WARNING: To prevent wiring damage or abrasion, do not expose wiring to edges of sheet metal or other sharp objects

WARNING: Only those open holes indicated in the photographs and/or drawings may be made or altered as a result of kit installation. Do not leave any other open holes in an enclosure of wiring or electrical components

AIR FLEX

INSTALLATION INSTRUCTIONS

● V Hooks

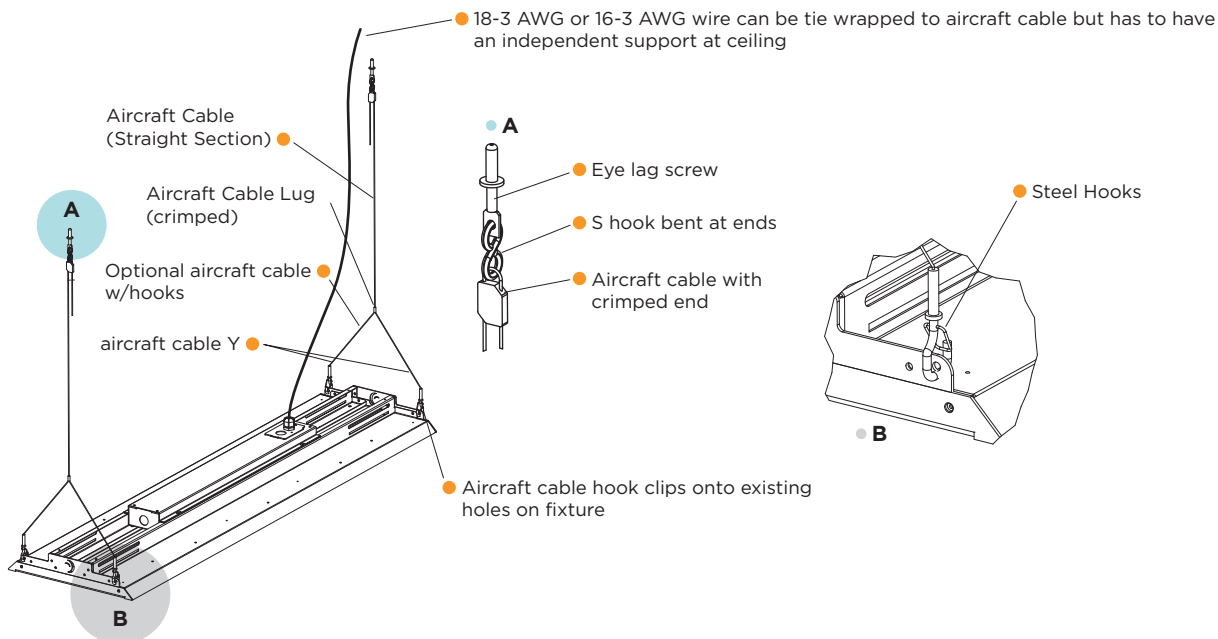


1. Disconnect the electrical power on the electrical panel prior to installing the Airflex light fixture.
2. The Airflex fixture is shipped with (2) Caddy Clips / V-hooks - one at the each end of the fixture. Ensure that the caddy clips are oriented the same as the figure in the lower left. Use pliers to 'close' off the ends of the caddy clips such that the clips can't be taken off.
3. Attach an s hook to the top of the caddy clip and then attach the other side of the s hook to the jack chain (min. #10 size). Use pliers to 'close' off the ends of the s hook onto the caddy clip and jack chain (min. S hook size 1.625" long, .135" thick with .5" ID in steel).
4. At the top of the jack chain attach an s hook to the jack chain and the other end of the jack chain to an eye lag screw. The installer should choose the proper eye lag screw as there are different types used for wood, steel, and concrete. Minimum eye lag screw should be #12 size.
5. Pull the existing 18-3 AWG or 16-3 AWG wire from the Airflex fixture into the junction box. Use a strain relief on the access plate if required. Connect the appropriate wires using wire nuts (Black to Black, White to White and Green to Ground wire). Ensure the ground wire is also grounded to the junction box using a ground screw. The 18-3 AWG or 16-3 AWG wire from the Airflex fixture can be tie wrapped to the aircraft cable but also has to be independently supported to the ceiling or roof. Check to see if the Airflex fixture is securely in place and that the aircraft cable is properly attached to the ceiling and the fixture.
6. Check all connections for open loops and replace loose/damaged wires. Turn the electrical power on from the electrical panel.
7. Test the connection by turning on the timer, relay system, motion detector or light switch that the Airflex light fixture is connected to.

AIR FLEX

INSTALLATION INSTRUCTIONS

• Aircraft Cable with Hooks



1. Disconnect the electrical power on the electrical panel prior to installing the Airflex light fixture.
2. The Airflex fixture has an optional aircraft cable w/hooks which can be ordered. If the installer is using their own aircraft cable they must ensure that the cable has steel hooks which will fit through the holes on the Airflex fixture as shown in the above figure. The hooks should engage properly such that the hook does not come out of the holes. The cable should form a 'Y'. A straight wire is connected to the top of the 'Y'. The installer should run additional support cables if needed to the ceiling or roof by using appropriate hardware to connect to the existing aircraft cable straight section. There should be a loop at the end of this cable at the top either formed using crimping a lug or other means to attach to a S hook.
3. Attach an s hook to the top of the aircraft cable and then attach the other side of the s hook to the eye lag screws. Use pliers to 'close' off the ends of the s hook onto the aircraft cable and eye lag screw. The installer should choose the proper eye lag screw as there are different types used for wood , steel, and concrete (minimum eye lag screw should be #12).
4. Pull the existing 18-3 AWG or 16-3 AWG wire from the Airflex fixture into the junction box. Use a strain relief on the access plate if required. Connect the appropriate wires using wire nuts (Black to Black, White to White, and Green to Ground wire). Ensure the ground wire is also grounded to the junction box using a ground screw. The 18-3 AWG or 16-3 AWG wire from the Airflex fixture can be tie wrapped to the aircraft cable but also has to be independently supported to the ceiling or roof. Check to see if the Airflex fixture is securely in place and that the aircraft cable is properly attached to the ceiling and the fixture.
5. Check all connections for open loops and replace loose/damaged wires. Turn the electrical power on from the electrical panel.
6. Test the connection by turning on the timer, relay system, motion detector or light switch that the high bay light fixture is connected to.